

**SPECIFICATION:**

MEADRAIN SK-ZT MIDDLE GULLY SECTION WITH PERFORMED KNOCKOUTS FOR  $\phi 6"$  AND  $\phi 8"$  CONNECTORS. INTENDED TO BE USED BETWEEN AN UPPER AND LOWER GULLY SECTIONS.

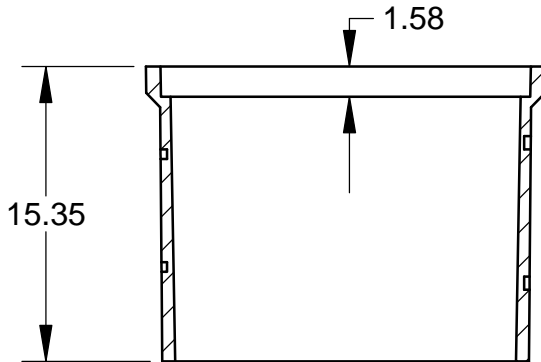
Supplied By:  
**TRENCHDRAIN SUPPLY** 877-903-7246  
www.trenchdrainsupply.com

**SK-ZT**

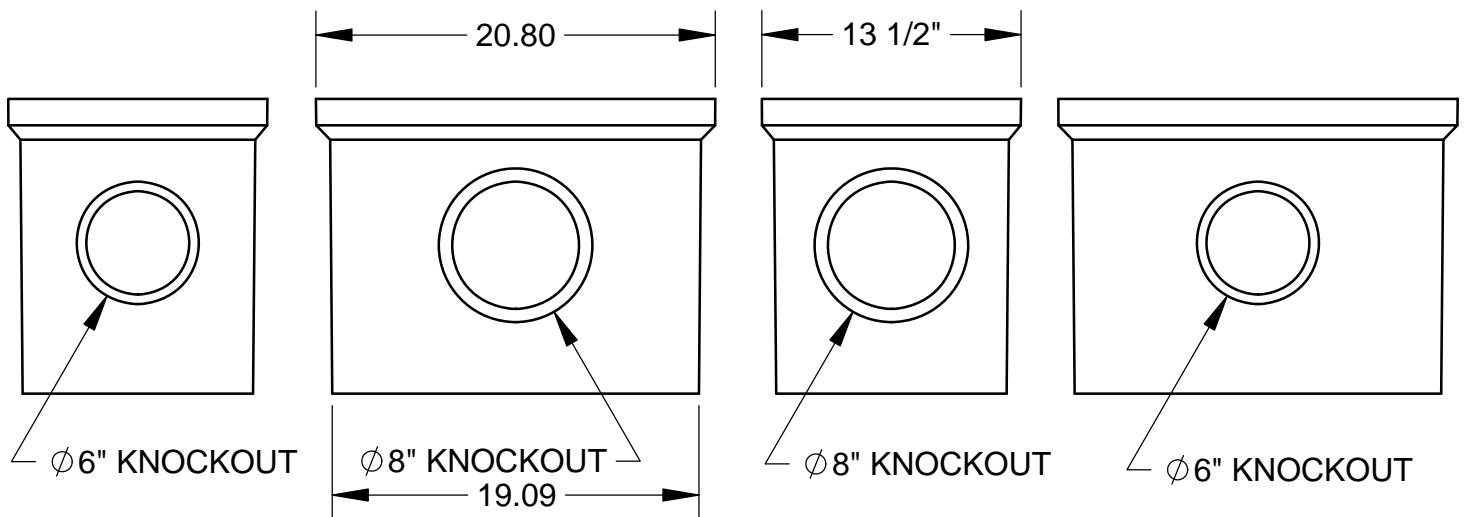
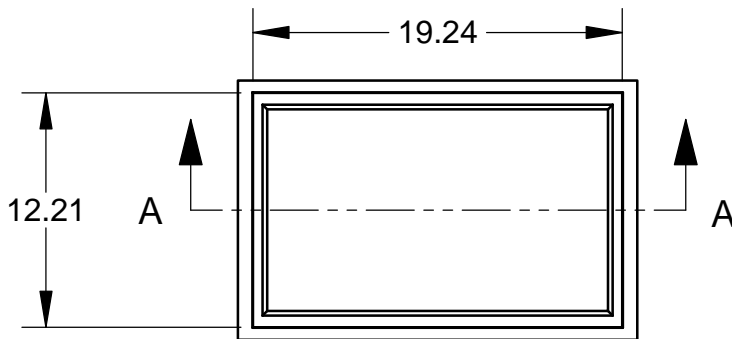
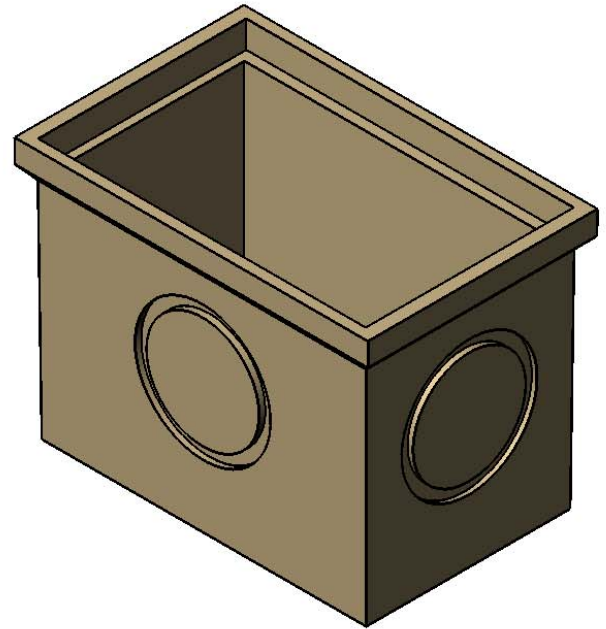
**MEA POLYMER CONCRETE  
MIDDLE GULLY SECTION**

SERIES

**154709**



**SECTION A-A  
SCALE 1 : 10**



DATE OF LAST CHANGE: 10/12/11

DIMENSIONS ARE SUBJECT TO MANUFACTURERS TOLERANCES AND CHANGE WITHOUT NOTICE. WE CAN ASSUME NO RESPONSIBILITY FOR USE OF SUPERSEDED OR VOID DATA.

**JOSAM COMPANY**  
MICHIGAN CITY, INDIANA

NOTES